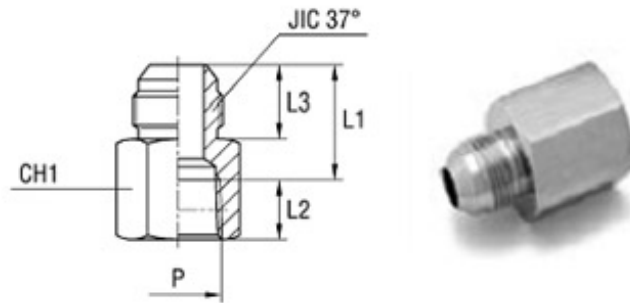




Female Connector



Ø Tube M	Ø Tube W	G	LI	L2	L3	CH1	JIC 37°
6	1/4	1/8	20,5	9,5	14	14	7/16-20
8	5/16	1/8	20,5	9,5	14	14	1/2-20
10	3/8	1/4	21,5	14	14,1	19	9/16-18
12	1/2	3/8	25	14,5	16,7	22	3/4-16
14-15-16	5/8	1/2	29	19	19,3	30	7/8-14
18-20	3/4	3/4	32,5	19,5	21,9	36	11/16-12
25	1	1	36	23,5	23,1	41	15/16-12

Fluid Fit Engineers

Unit 11, Pereira Compound, Near Vaishali Nager, S. V. Road

Mumbai-400 102, Maharashtra (India)